



FOR A BETTER WORLD  
PRODUCT INTRODUCTION

SHENZHEN INTERSKY CO., LTD  
win-win Cooperation



ROOM 228A, 2ND FLOOR WEST, SCIENCE AND TECHNOLOGY INDUSTRIAL BUILDING, #6 KEYUAN ROAD, HI-TECH PARK, YUEHAI NANSHAN, SHENZHEN, CHINA.

SALES@SZINTERSKY.COM

+86 186 7552 1565

WWW.SZINTERSKY.COM

# Single Phase Meter Enclosure

## TY-ME13

### Brief Introduction

TY-ME13 Single phase meter enclosure is specially designed for the purpose of anti-tamper and protection of meter. One DIN rail type meter and one 2P MCB can be mounted with bottom connection. The material of enclosure is polycarbonate with UV resistance and V0 flame resistance degree. Pole mounted or wall mounted or lock and key protection are based on project demand. Alarm sensor for enclosure opening is reserved function.

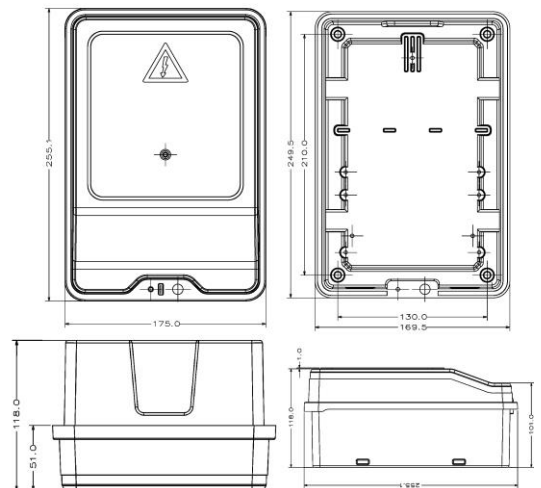


### Specification

Items	Parameters
Dimension	L255mm*W175mm*H118mm
Material of top cover	PC+10%GF non-transparent/PC transparent
Material of base	PC+10%GF non-transparent
Protection degree	IP54, IK10
Anti-UV	Yes
Flame resistance degree	V0
Anti-tamper protection	Seal and padlock for cover
Method of production	Injection
Temperature	-30°C to 80°C
Heat dissipation	No Ventilation hole for cooling
Installation provision for MCB	Yes
Mounting methods	Pole mounted by stainless steel strap or wall mounted by screw
Thickness	Top cover 2mm, base 2mm

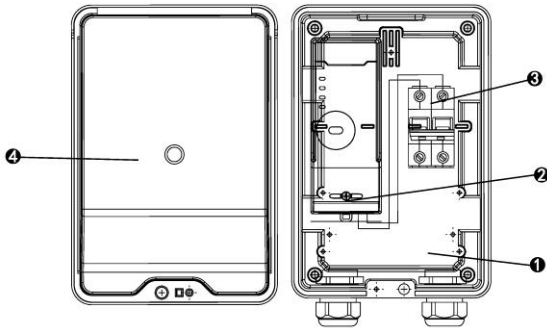
Noted: Material can be customized

### Dimension





## Components



- ❶ Base
- ❷ Energy meter
- ❸ MCB
- ❹ Up cover

## Installation Methods



Wall installation



Pole installation

## Installation Accessories

Option installation accessories (cost will be different based on the accessories) :



2PCS PG19/M25



2PCS Rubber plug



4PCS M8\*40mm  
Expand plug  
4PCS ST5\*35mm  
Self-tapping screw



3PCS ST4\*12mm  
Self-tapping screw



2PCS 800\*12\*0.25mm  
Stainless steel strap

## Quantity in Different Containers

Updated 16<sup>th</sup> June, 2021

Container	QTY in a Carton	Max Carton QTY	Max loaded Qty
20GP	18	256	4608
40GP	18	552	9936
40HQ	18	666	11988

Each meter enclosure is packed in a plastic bag, then in a carton, the carton is sealed by tape and tie.