



FOR A BETTER WORLD
PRODUCT INTRODUCTION

SHENZHEN INTERSKY CO., LTD
win-win Cooperation



ROOM 228A, 2ND FLOOR WEST, SCIENCE AND TECHNOLOGY INDUSTRIAL BUILDING, #6 KEYUAN ROAD, HI-TECH PARK, YUEHAI NANSHAN, SHENZHEN, CHINA.

SALES@SZINTERSKY.COM

+86 186 7552 1565

WWW.SZINTERSKY.COM

Single Phase Meter Enclosure

TY-ME16

Brief Introduction

TY-ME16 Single phase meter enclosure is specially designed for the purpose of anti-tamper and protection of meter. One BS type meter or one DIN rail type meter can be mounted with bottom connection. The enclosure is with transparent window, non-transparent top cover and non-transparent base. The material of enclosure is polycarbonate with UV resistance and V0 flame resistance degree. Pole mounted or wall mounted or lock and key protection are based on project demand. Alarm sensor for enclosure opening is reserved function. Optional designs like cooling holes and rotating shafts.



(ME16-1)



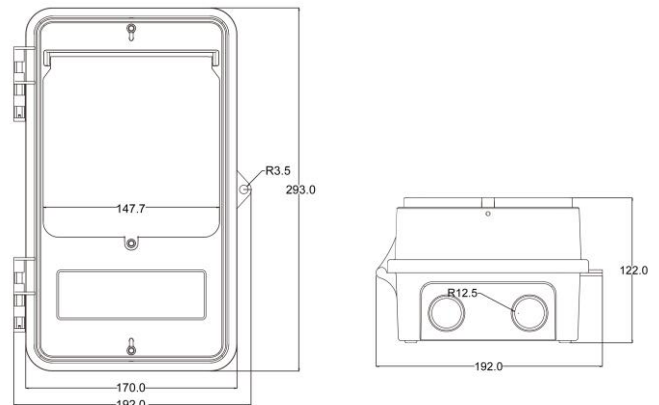
(ME16-2)

Specification

Items	Parameters
Dimension	L293mm*W192mm*H122mm
Material of top cover	PC+10%GF non-transparent
Material of turnover window	PC transparent
Material of base	PC+10%GF non-transparent
Protection degree	IP54 with no ventilation hole, IP53 with ventilation hole, IK10
Anti-UV	Yes
Flame resistance degree	V0
Anti-tamper protection	Seal and padlock for cover and seal for windows
Method of production	Injection
Temperature	-30°C to 80°C
Heat dissipation	Ventilation hole for cooling
Installation provision for MCB	Yes
Mounting methods	Pole mounted by stainless steel strap or wall mounted by screw
Thickness	Top cover 2mm, base 2mm, window 2mm

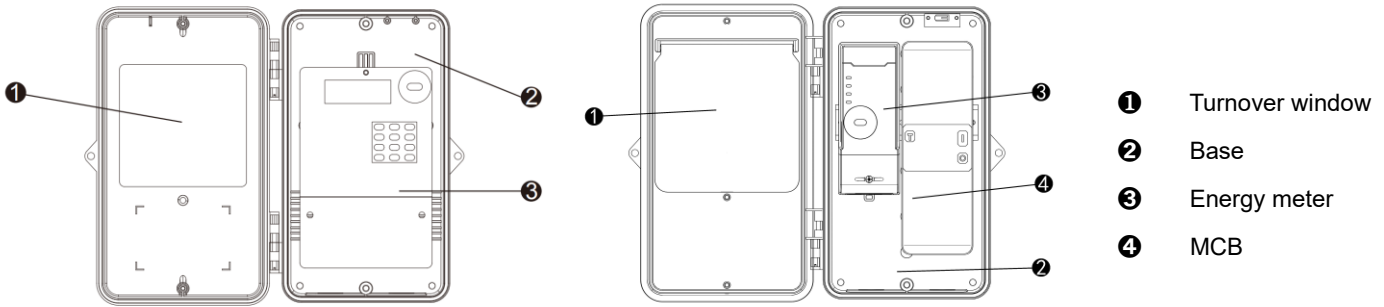
Noted: Material can be customized

Dimension

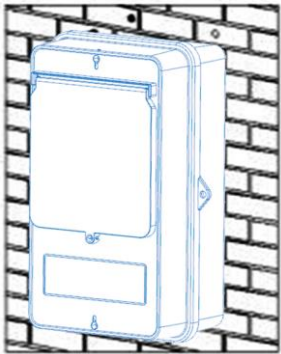




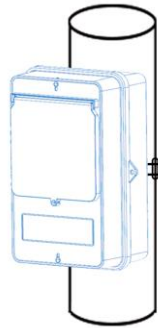
Components



Installation Methods



Wall installation



Pole installation

Installation Accessories

Option installation accessories (cost will be different based on the accessories) :



2PCS PG19/M25



2PCS Rubber plug



4PCS M8*40mm
Expand plug
4PCS ST5*35mm
Self-tapping screw



3PCS ST4*12mm
Self-tapping screw



1PCS 800*12*0.25mm
Stainless steel strap



Metal sheet

Quantity in Different Containers

Containers	Quantity
20GP	3776
40HQ	8864

Each meter enclosure is packed in a plastic bag, then in a carton, the carton is sealed by tape and tie.