



FOR A BETTER WORLD
PRODUCT INTRODUCTION

SHENZHEN INTERSKY CO., LTD
win-win Cooperation



ROOM 228A, 2ND FLOOR WEST, SCIENCE AND TECHNOLOGY INDUSTRIAL BUILDING, #6 KEYUAN ROAD, HI-TECH PARK, YUEHAI NANSHAN, SHENZHEN, CHINA.

SALES@SZINTERSKY.COM

+86 186 7552 1565

WWW.SZINTERSKY.COM

Single Phase Meter Enclosure

TY-ME19A0

Brief Introduction

TY-ME19A0 Single phase meter enclosure is specially designed for the purpose of anti-tamper and protection of meter. One DIN rail type meter and one 2P MCB can be mounted with bottom connection. The top cover and base is connected by plastic hinge, injected as one from the mould. The material of enclosure is polycarbonate with UV resistance and V0 flame resistance degree. Pole mounted or wall mounted or lock and key protection are based on project demand. Alarm sensor for enclosure opening is reserved function.



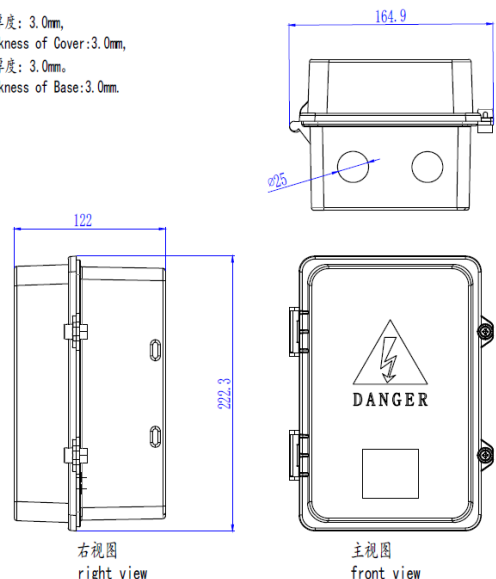
Specification

Items	Parameters
Dimension	L222.3mm*W164.9mm*H122mm
Material of top cover	PC+10%GF non-transparent/PC transparent or PC+ABS
Material of base	PC+10%GF non-transparent or PC+ABS
Protection degree	IP55, IK10
Anti-UV	Yes
Flame resistance degree	V0, or V1
Anti-tamper protection	Seal for cover
Method of production	Injection
Temperature	-30°C to 80°C
Heat dissipation	No Ventilation hole for cooling
Installation provision for MCB	Yes
Mounting methods	Pole mounted by stainless steel strap or wall mounted by screw
Thickness	Top cover 3mm, base 3mm

Noted: Material can be customized

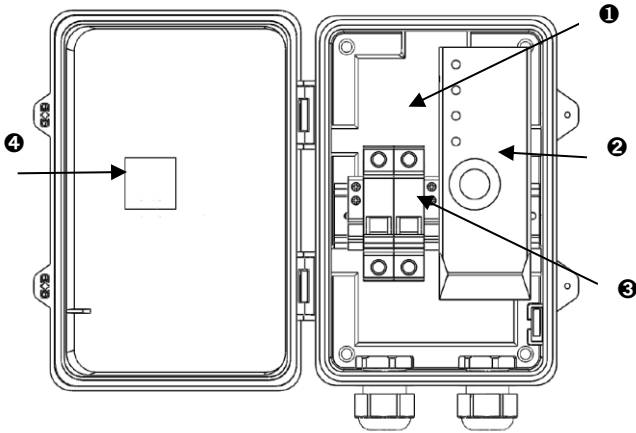
Dimension

上盖厚度: 3.0mm,
Thickness of Cover: 3.0mm,
底壳厚度: 3.0mm,
Thickness of Base: 3.0mm.





Components



- ❶ Base
- ❷ Energy meter
- ❸ MCB
- ❹ Up cover

Installation Methods



Wall installation



Pole installation

Installation Accessories

Option installation accessories (cost will be different based on the accessories) :



2PCS PG19/M25



2PCS Rubber plug



4PCS M8*40mm
Expand plug
4PCS ST5*35mm
Self-tapping screw



3PCS ST4*12mm
Self-tapping screw



2PCS 800*12*0.25mm
Stainless steel strap

Quantity in Different Containers

Updated

Container	QTY in a Carton	Max Carton QTY	Max loaded Qty
20GP	18	256	4608
40GP	18	552	9936
40HQ	18	666	11988

Each meter enclosure is packed in a plastic bag, then in a carton, the carton is sealed by tape and tie.