



FOR A BETTER WORLD
PRODUCT INTRODUCTION

SHENZHEN INTERSKY CO., LTD
win-win Cooperation



ROOM 228A, 2ND FLOOR WEST, SCIENCE AND TECHNOLOGY INDUSTRIAL BUILDING, #6 KEYUAN ROAD, HI-TECH PARK, YUEHAI NANSHAN, SHENZHEN, CHINA.

SALES@SZINTERSKY.COM

+86 186 7552 1565

WWW.SZINTERSKY.COM

Three Phase Meter Enclosure

TY-ME31

Brief Introduction

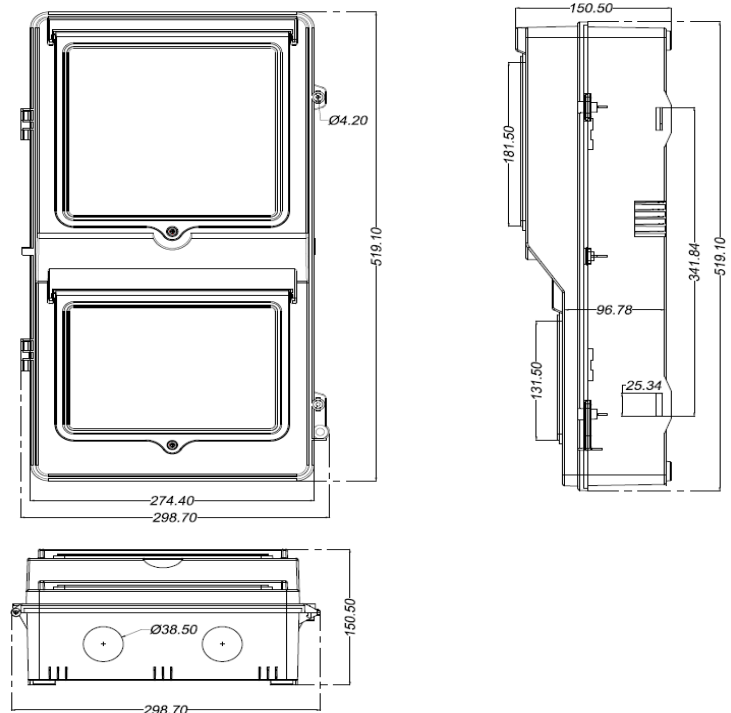
TY-ME31 three phase meter enclosure is specially designed for the purpose of anti-tamper and protection of meter. 1(One) pcs BS type meter or maximum 4(Four) pcs DIN rail type meters can be mounted with bottom connection. The enclosure with two separated transparent windows, transparent /non-transparent top cover and non-transparent base. The material of enclosure is polycarbonate with UV resistance and V0 flame resistance degree. Pole mounted or wall mounted or lock and key protection are based on project demand. Alarm sensor for enclosure opening is reserved function.



Specification

Items	Parameters
Dimension	L519.1mm*W298.7mm*H145.5mm
Material of top cover	PC+10%GF non-transparent/PC transparent
Material of turnover window	PC transparent
Material of base	PC+10%GF non-transparent
Protection Degree	IP55, IK10
Anti-UV	Yes
Flame resistance degree	V0
Installation provision for MCB	Yes
Anti-tamper protection	Seal and padlock for cover, and seal for windows
Temperature	-30°C to 80°C
Heat dissipation	Ventilation hole for cooling
Method of production	Injection
Mounting methods	Pole mounted by stainless steel strap or wall mounted by screw
Thickness	Top cover 3mm, base 3mm, windows 2.7mm

Dimension



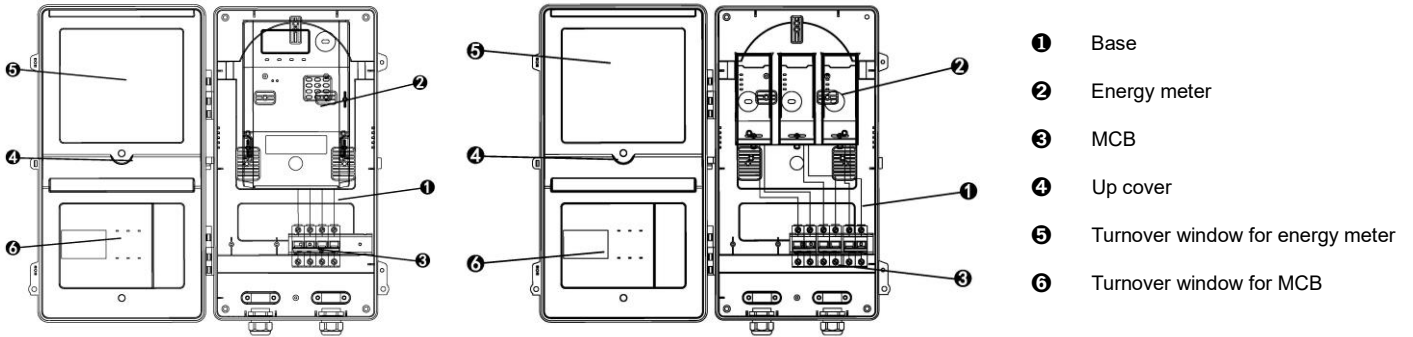
Noted: Material can be customized



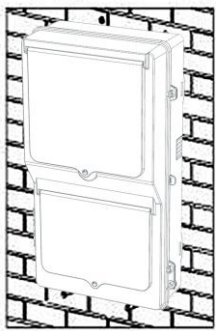
INTERSKY
PRODUCT INTRODUCTION

www.szintersky.com

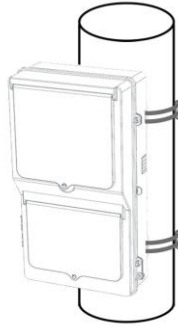
Components



Installation Methods



Wall installation



Pole installation

Quantity in Different Containers

Containers	Quantity
20GP	1170
40HQ	3096

Installation Accessories

Option installation accessories (cost will be different based on the accessories) :



2PCS PG29



2PCS Rubber plug



4PCS M10*50mm
Expand plug
4PCS ST6*50mm
Self-tapping screw



2PCS cable pressor
4PCS ST5*18mm
Screw for cable pressor



3PCS ST4*12mm
Self-tapping screw



2PCS 1000*12*0.25mm
Stainless steel strap

Each meter enclosure is packed in a plastic bag, then in a carton, the carton is sealed by tape and tie.