



FOR A BETTER WORLD
PRODUCT INTRODUCTION

SHENZHEN INTERSKY CO., LTD
win-win Cooperation



ROOM 228A, 2ND FLOOR WEST, SCIENCE AND TECHNOLOGY INDUSTRIAL BUILDING, #6 KEYUAN ROAD, HI-TECH PARK, YUEHAI NANSHAN, SHENZHEN, CHINA.

SALES@SZINTERSKY.COM

+86 186 7552 1565

WWW.SZINTERSKY.COM

Three Phase Meter Enclosure

TY-ME32

Brief Introduction

TY-ME32 Three phase meter enclosure is specially designed for the purpose of anti-tamper and protection of meter. One three phase BS type meter and one 4P MCB can be mounted with bottom connection. The enclosure is with transparent window, transparent/non-transparent top cover and non-transparent base. The material of enclosure is polycarbonate with UV resistance and V0 flame resistance degree. Pole mounted or Wall mounted or lock and key protection are based on project demand. Alarm sensor for enclosure opening is reserved function.

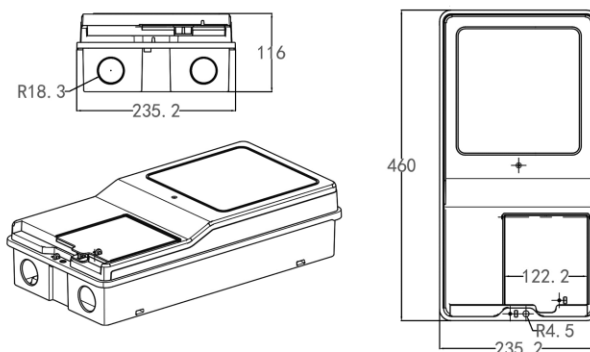


Specification

Items	Parameters
Dimension	L460mm*W235.2mm*H116mm
Material of top cover	PC+10%GF non-transparent/ PC transparent
Material of turnover window	PC transparent
Material of base	PC+10%GF non-transparent
Protection degree	IP54, IK10
Anti-UV	Yes
Flame resistance degree	V0
Anti-tamper protection	Seal and padlock for cover and seal for windows
Method of production	Injection
Temperature	-30°C to 80°C
Heat dissipation	No Ventilation hole for cooling
Installation provision for MCB	Yes
Mounting methods	Pole mounted by stainless steel strap or wall mounted by screw
Thickness	Top cover 2.5mm, base 2.5mm, window 1.9mm

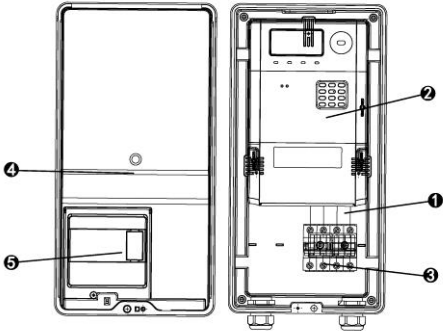
Noted: Material can be customized

Dimension



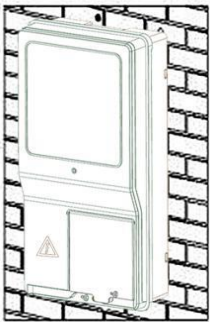


Components



- ❶ Base
- ❷ Energy meter
- ❸ MCB
- ❹ Up cover
- ❺ Turnover window for energy meter
- ❻ Turnover window for MCB

Installation Methods



Wall installation



Pole installation

Installation Accessories

Option installation accessories (cost will be different based on the accessories) :



2PCS PG29



2PCS Rubber plug



4PCS M10*50mm
Expand plug
4PCS ST6*50mm
Self-tapping screw



3PCS ST6*50mm
Self-tapping screw



2PCS 1000*12*0.25mm
Stainless steel strap

Quantity in Different Containers

Updated 4th June, 2021

Container	QTY in a Carton	Max Carton QTY	Max loaded Qty
20GP	6	349	2094
40GP	6	749	4494
40HQ	6	874	5244

Each meter enclosure is packed in a plastic bag, then in a carton, the carton is sealed by tape and tie.