



FOR A BETTER WORLD
PRODUCT INTRODUCTION

SHENZHEN INTERSKY CO., LTD
win-win Cooperation



ROOM 228A, 2ND FLOOR WEST, SCIENCE AND TECHNOLOGY INDUSTRIAL BUILDING, #6 KEYUAN ROAD, HI-TECH PARK, YUEHAI NANSHAN, SHENZHEN, CHINA.

SALES@SZINTERSKY.COM

+86 186 7552 1565

WWW.SZINTERSKY.COM

Ready Board

TY-RB21 Small Power Distribution Unit (SPDU)

Brief Introduction

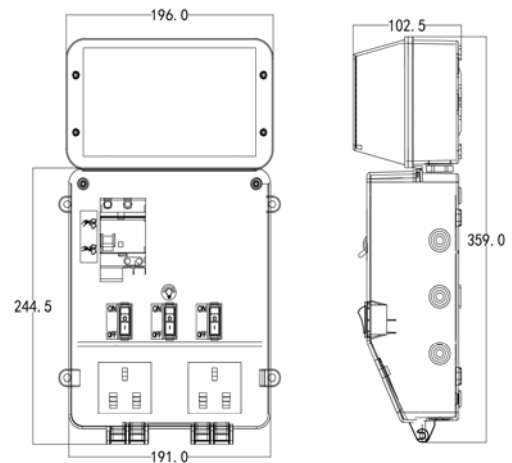
TY-RB21 is a portable, safe, economic and easy to use pre-wired low voltage ready board with 2(Two) sockets, 1(One) lighting lamp and protection area. It has 4(Four) mounting lugs suitable for wall installation and additional knockout for future use. It is suitable for residential (small holding, extension, garages, outbuildings), commercial and industrial purpose.



Specification

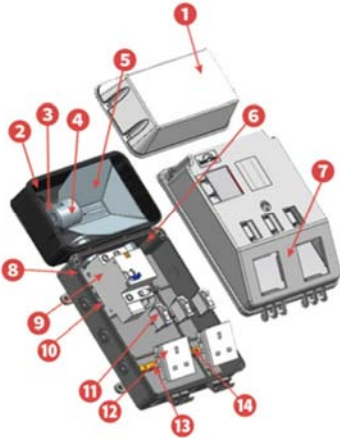
Items	Parameters
Dimension	L359mm*W196mm*H102.5mm
Power input	AC 230V
Socket type	British type / Type G
Max. power output	13A
Lamp holder	Screw type E27
RCBO	1pcs 1P+N 32A/10A/5A
Material of Ready Board	Injection Molded Plastic
Type of mounting	Wall mounting with four screws
No. of access points for conduit or earth cable	9 at side
Protection class	Light chamber IP67
Temperature	-30°C to 60°C
Color	Grey

Dimension



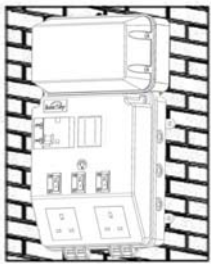


Components



- | | |
|--------------------------|---------------|
| ❶ Lighting chamber cover | ❸ Chamber |
| ❷ Lighting chamber base | ❹ RCBO |
| ❸ Lamp fixer | ❺ Rail |
| ❹ Ceramic lamp head | ❻ Switch |
| ❺ Reflector | ❼ BS socket |
| ❻ Waterproof connector | ❼ Neutral bar |
| ❼ Chamber cover | ❼ Earth bar |

Installation Methods



Wall installation

Installation Accessories

Option installation accessories (cost will be different based on the accessories):



1PCS PG11/M20

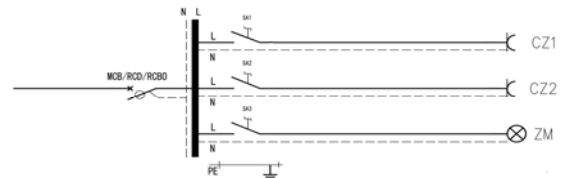


4PCS M8*40mm
Expand plug
4PCS ST5*35mm
Self-tapping screw

Quantity in Different Containers

Containers	Quantity
20GP	3150
40HQ	7440

Electrical Diagram



Each Ready Board is packed in a bubble bag, then in a inner box, finally in a carton, the carton is sealed by tape and tie.