



FOR A BETTER WORLD  
PRODUCT INTRODUCTION

SHENZHEN INTERSKY CO., LTD  
win-win Cooperation



ROOM 228A, 2ND FLOOR WEST, SCIENCE AND TECHNOLOGY INDUSTRIAL BUILDING, #6 KEYUAN ROAD, HI-TECH PARK, YUEHAI NANSHAN, SHENZHEN, CHINA.

SALES@SZINTERSKY.COM

+86 186 7552 1565

WWW.SZINTERSKY.COM

# Ready Board

## TY-RB31 Small Power Distribution Unit (SPDU)

### Brief Introduction

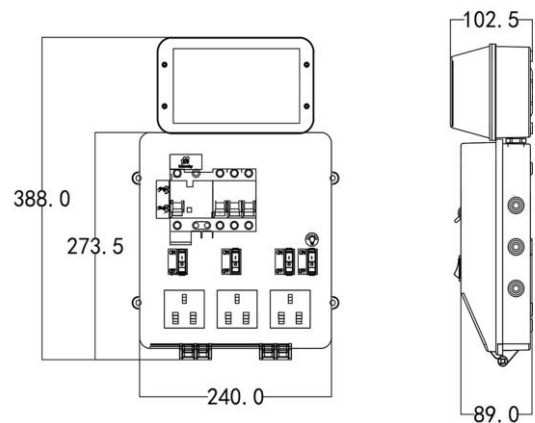
TY-RB31 is a portable, safe, economic and easy to use pre-wired low voltage ready board with 3(Three) sockets, 1(One) lighting lamp and protection area. It has four mounting lugs suitable for wall installation and additional knockout for future use. It is suitable for residential (small holding, extensions, garages, outbuildings), commercial and industrial purposes.



### Specification

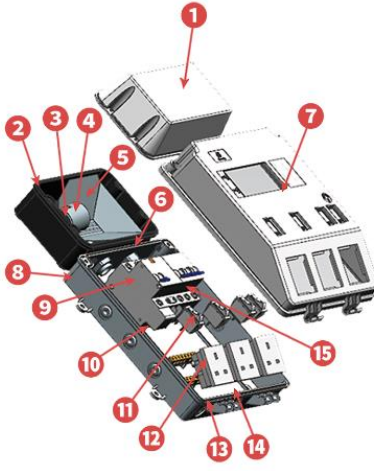
| Items   | Parameters                     |
|---|--------------------------------|
| Dimension                                       | L388mm*W240mm*102.5mm          |
| Power input                                     | AC 230V 50Hz                   |
| Socket type                                     | British type / Type G          |
| Maximum power output                            | 13A                            |
| Lamp holder                                     | Screw type E27                 |
| RCBO  | 1pcs 1P+N 63A                  |
| Minimum Circuit Breaker                         | 1pcs 25A; 1pcs 16A; 1pcs 5A    |
| Material of Ready Board                         | Injection Molded Plastic       |
| Type of mounting                                | Wall mounting with four screws |
| No. of access points for conduit or earth cable | 9 at side                      |
| Protection class                                | Light chamber IP67.            |
| Temperature                                     | -30 to 60°C                    |
| Color   | Grey                           |

### Dimension



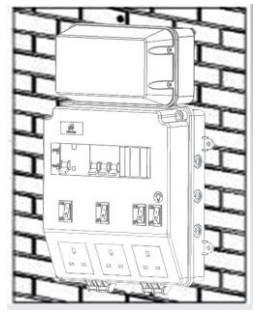


## Components



- ❶ Lighting chamber cover
- ❷ Lighting chamber base
- ❸ Lamp fixer
- ❹ Ceramic lamp head
- ❺ Reflector
- ❻ Waterproof connector
- ❼ Chamber cover
- ❽ Chamber base
- ❾ RCBO
- ❿ Rail
- ⓫ Switch
- ⓬ BS socket
- ⓭ Neutral bar
- ⓮ Earth bar
- ⓯ MCB

## Installation Methods



Wall installation

## Installation Accessories

Option installation accessories (cost will be different based on the accessories) :



1PCS PG11/M20

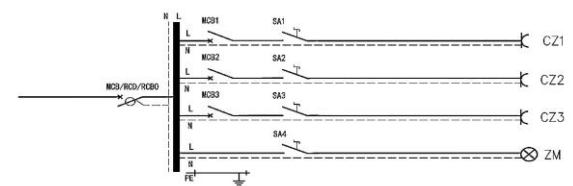


4PCS M8\*40mm  
 Expand plug  
 4PCS ST5\*35mm  
 Self-tapping screw

## Quantity in Different Containers

| Containers | Quantity |
|------------|----------|
| 20GP       | 2016     |
| 40HQ       | 5028     |

## Electrical Diagram



Each Ready Board is packed in a bubble bag, then in a inner box, finally in a carton, the carton is sealed by tape and tie.