



FOR A BETTER WORLD
PRODUCT INTRODUCTION

SHENZHEN INTERSKY CO., LTD
win-win Cooperation



ROOM 228A, 2ND FLOOR WEST, SCIENCE AND TECHNOLOGY INDUSTRIAL BUILDING, #6 KEYUAN ROAD, HI-TECH PARK, YUEHAI NANSHAN, SHENZHEN, CHINA.

SALES@SZINTERSKY.COM

+86 186 7552 1565

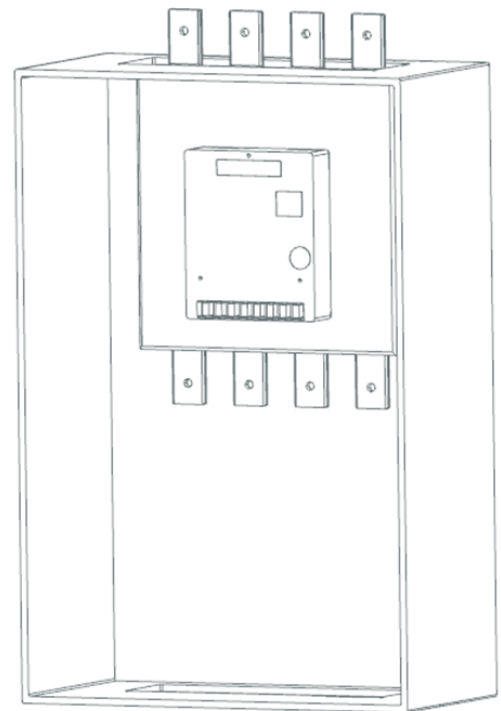
WWW.SZINTERSKY.COM

Low Voltage CT Embedded Metering Unit

TY-MU34

Brief Introduction

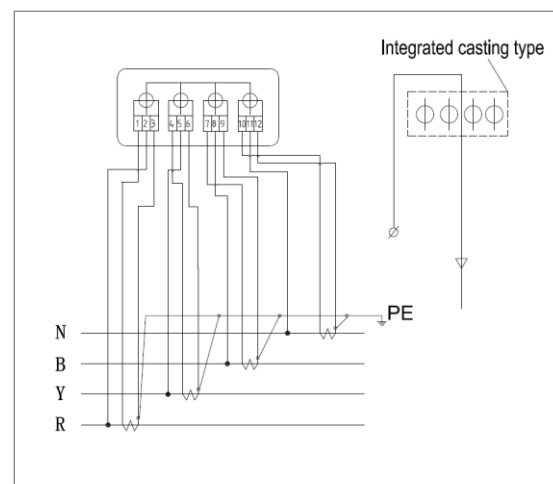
TY-MU34 Series CT embedded metering unit is specially designed for postpaid Low voltage metering, the CTs are embedded together with quick connection terminal to the meter. It has the advantage of quick installation, ready wiring to reduce the field installation work. It is equipped with high precision smart energy meter, CT, ; Bus bar; and box with IP54 protection for outdoor usage. Easy excess for connection of Inward and Outward Cable. It is an ideal product for Utilities and Distribution company to reduce energy loss and revenue protection. It is suitable to be used for commercial and industrial projects.



Feature

- Quick and easy installation
- Embedded CT
- High accuracy class
- Maximum demand
- Quick connection to meter
- Outdoor usage

Connection Diagram





SPECIFICATIONS ON METER

DESCRIPTION

Accuracy
Rated Voltage
Operation voltage range
Current
Power consumption
Protection class
RTC
Communication
Measurement

PARAMETER

Active class 0.5s, reactive class 2.0
3*230/400V
0.7Un-1.2ur
1(10)A
Voltage circuit (Un): 2W/5VA
Current circuit (in): 0.5VA
IP54
<is/day (in 23°C)
GPRS
In Phase

SPECIFICATIONS ON METERING UNIT

200/5A metering unit

CT ratio 200/1
Type Outdoor/Indoor
Mounting Ground mounting
Box material Plastic or Steel
IP protection class 54

500/5A metering unit

CT ratio 500/1
Type Outdoor/Indoor
Mounting Ground mounting
Box material Plastic or Steel
IP protection class 54

300/5A metering unit

CT ratio 200/1
Type Outdoor/Indoor
Mounting Ground mounting
Box material Plastic or Steel
IP protection class 54

800/5A metering unit

CT ratio 800/1
Type Outdoor/Indoor
Mounting Ground mounting
Box material Plastic or Steel
IP protection class 54